

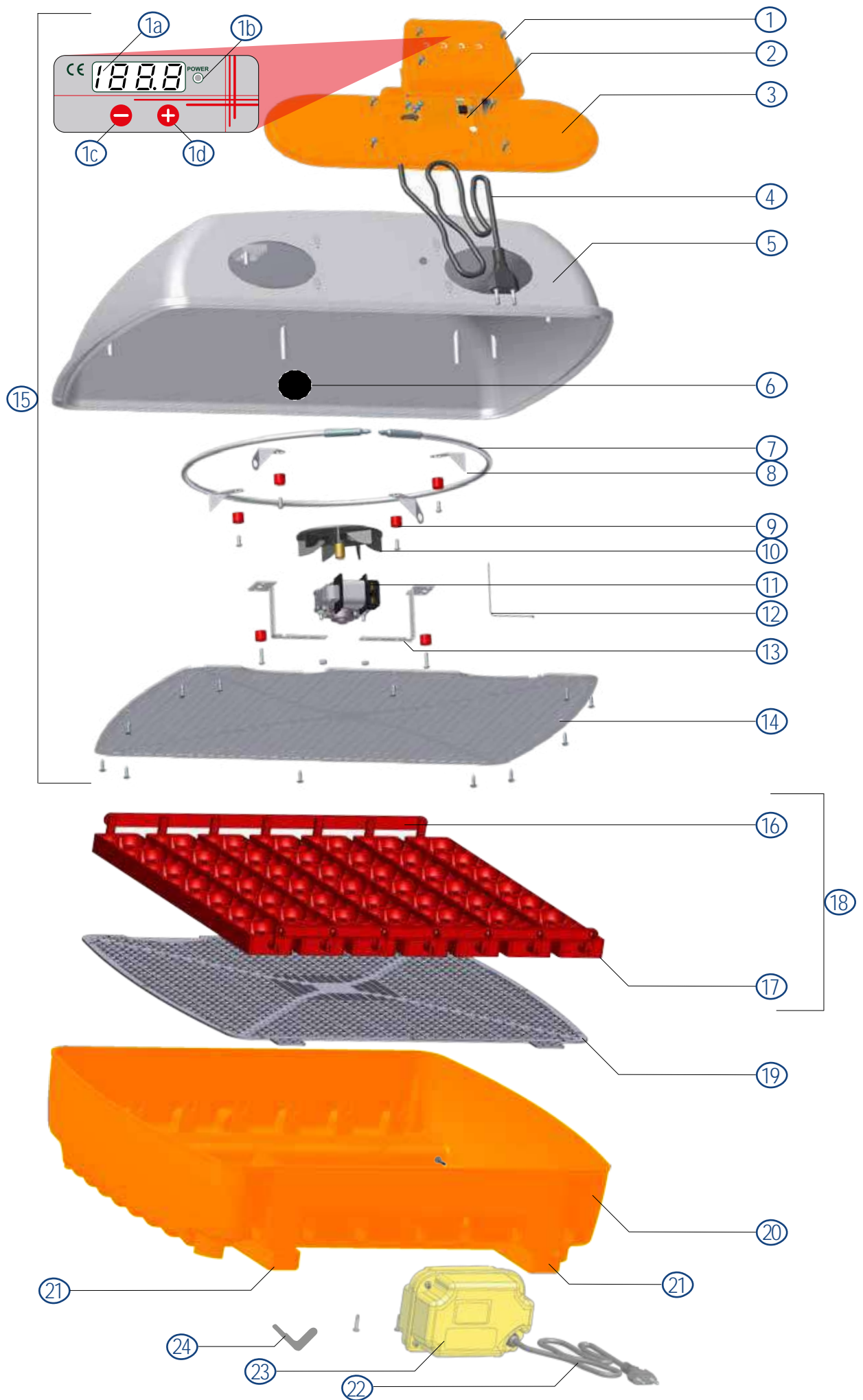
# INCUBATORS AH12 - AH24 - AH49

*Nutrition & Protection*



**ARION FASOLI**  
[WWW.ARIONFASOLI.COM](http://WWW.ARIONFASOLI.COM) 

# AH INCUBATOR - DETAILED VIEW



# SPARE PARTS

Here you can find all the available spare parts for your AH incubator



Code number  
AH 12: **512-03**  
AH 24: **524-03**  
AH 49: **549-03**

(2) (12)



Code number  
AH 12-24-49: **25549850**

(6)



Code number  
AH 12: **27512000**

(7)



Code number  
AH 24: **22524000**

(7)



Code number  
AH 49: **22549000**

(7)



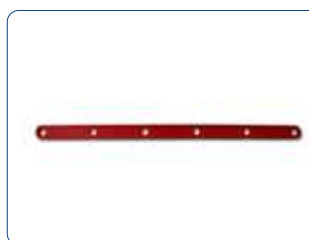
Code number  
AH 12: **512-05**  
AH 24: **524-05**  
AH 49: **549-05**

(10) (11) (13)



Code number  
AH 12: **40512000**  
AH 24: **40524000**  
AH 49: **40549000**

(15)



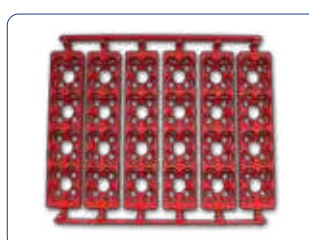
Code number  
AH 12: **25512700**  
AH 24: **25524700**  
AH 49: **25549700**

(16)



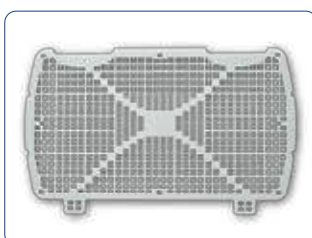
Code number  
AH 12: **25512400**  
AH 24: **25524400**  
AH 49: **25549400**

(17)



Code number  
AH 12: **512-06**  
AH 24: **524-06**  
AH 49: **549-06**

(18)



Code number  
AH 12: **25512510**  
AH 24: **25524510**  
AH 49: **25549510**

(17)



Code number  
AH 12: **25512120**  
AH 24: **25524110**  
AH 49: **25549110**

(20)



Code number  
AH 12-24-49: **556M-1**

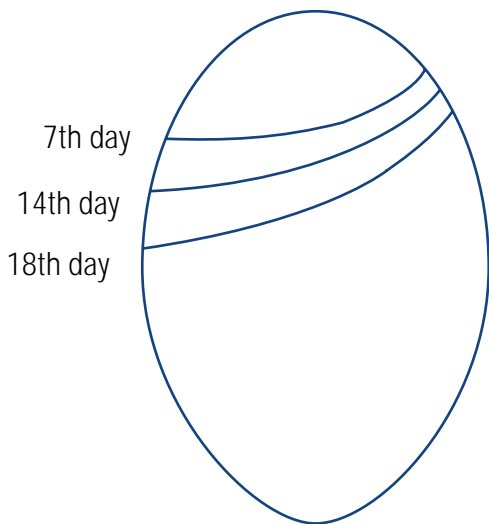
(23)



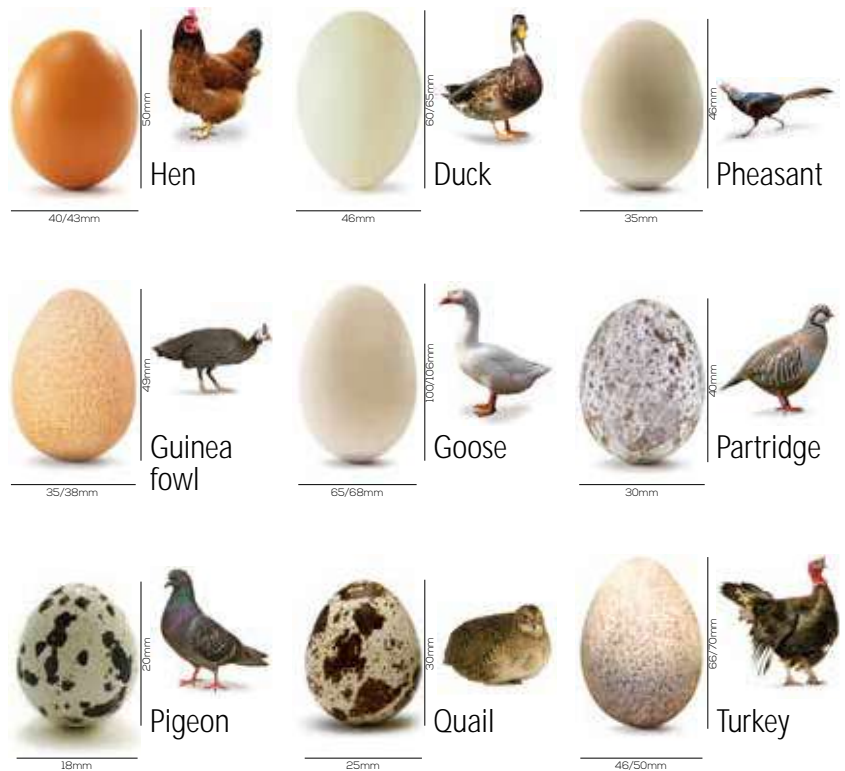
Code number  
AH 12-24-49: **23800300**

(24)

# THE EGGS



The air cell in an egg provides the chick with air when it is ready to start breathing on its own and hatch from the egg. As the chick starts breathing, there is a buildup of carbon dioxide in the egg, which prompts the chick to break through the egg to get fresh air.



# CHOOSING THE EGGS

## Egg suitable for incubation



## Eggs with low hatching rate



## Eggs to be discarded

